



IK-HD5UM

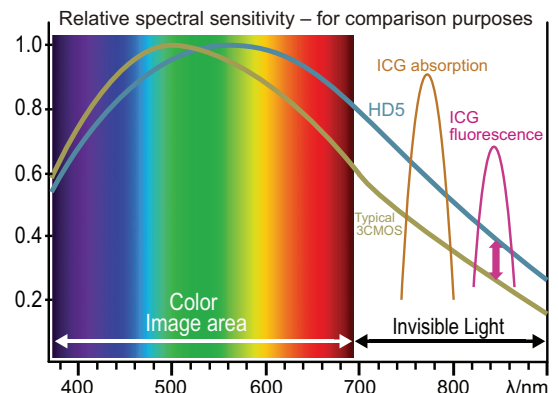
Rated for Medical Use *HD Video Camera*



CANON MEDICAL COMPONENTS U.S.A. Video Sensing Devices introduces the latest 3-CMOS, full-HD, progressive scan camera innovation which meets IEC60601 3rd edition requirements for use in various medical and surgical imaging applications.

The new **IK-HD5UM** configuration features DVI-D and USB 3.0 outputs and is adapted for use in various non-patient contact, non-diagnostic imaging applications including surgical microscopy, surgical light camera integration or surgical room monitoring and surveillance.

Three-chip performance provides exceptional sensitivity, accurate color reproduction and sharp details through Canon's proprietary prism-block technology. Use the camera to provide real-time, incredibly detailed reference images for education, documentation and in-room surgical staff. The IK-HD5UM offers improved sensitivity in near IR spectrums supporting applications which use fluorescing agents such as ICG.



Incorporating Canon's innovative three-chip technology, the IK-HD5 provides approximately 3dB increased sensitivity in the near-infrared spectrum through 700-870 nm. When equipped with the appropriate optics and filters, the IK-HD5 can be used for both visible light and near IR imaging applications such as indocyanine green (ICG) and other fluorescing agents.

IK-HD5UM

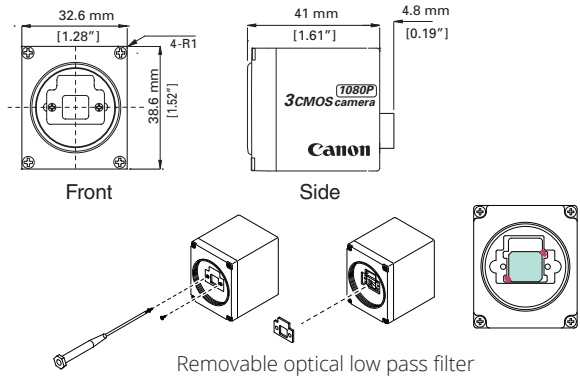
Rated for Medical Use HD Video Camera

Camera Head Specifications

IK-HD5H

Image Sensor	3-CMOS, 1/2.9 inch, 2.1MP progressive
Output Resolution	Horizontal : 1920, Vertical : 1080
Resolution :H :V	1000 TV lines standard 1000 TV lines standard
Sensitivity	F10 standard (59.94 Hz setting) F11 standard (50 Hz setting) (at 2000 lx, 3000 K)
Minimum Illumination	4.8 lx (59.94 Hz setting) 4.0 lx (50 Hz setting)) at F2.2, 20 dB, BINNING: ON 9.6 lx (59.94 Hz setting) 8.0 lx (50 Hz setting) at F2.2, 20 dB, BINNING: OFF
S/N Ratio	56 dB standard AGC: OFF, Gamma: OFF, Enhance: OFF
Operating Temperature	0 °C to 40 °C / 32 °F to 104 °F
Operating Humidity	Less than 90% (non-condensing)
Weight	Approx. 93 g (3.3 oz)
Dimensions	W: 32.6 mm H: 38.6 mm D: 41 mm (1.28" x 1.52" x 1.61") Protruding portion is not included

Camera Head Exterior Dimensions



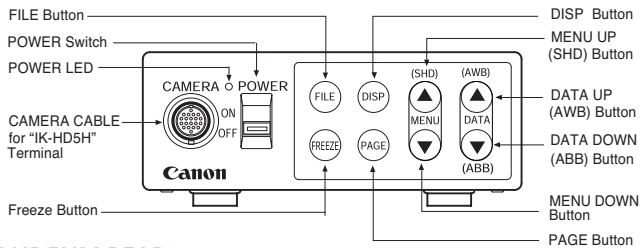
Controller Specifications

IK-HD5UM

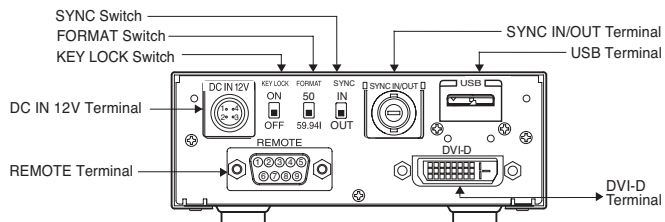
Power Supply	12V DC±10%
Power Consumption	11.6 W
Scanning System	Progressive / Interlaced (Selectable)
Scan Frequency	H: 67.433 kHz, V:59.94 Hz :1080p / 59.94 Hz H: 56.250 kHz, V:50 Hz :1080p / 50 Hz H: 33.716 kHz, V:59.94 Hz : 1080i / 59.94 Hz H: 28.125 kHz, V:50 Hz : 1080i / 50 Hz
Operating Temperature	0 °C to 40 °C / 32 °F to 104 °F
Operating Humidity	Less than 90% (non-condensing)
Weight	Approx. 850 g (1.9 lbs.)
Dimensions	W: 110 mm, H: 40 mm, D: 186 mm (4.33" x 1.58" x 7.32")
Scene Files	5 User-configurable scene files
White Balance	Auto / Manual (Selectable)
Gain	Auto (-15dB to 20dB); Manual (-15dB to 20dB), OFF
Output Signal	DVI-D / USB Micro-B 1920 x 1080/59.94fps max. USB3.0 1920 x 1080 10fps max. USB2.0
Electronic Shutter	Auto / Manual (OFF 1/60 - 1/10,000) / Syncro Scan

Controller Front and Back Panels

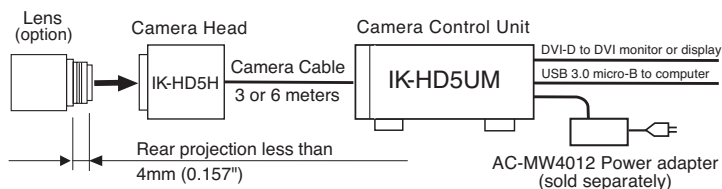
IK-HD5UM FRONT



IK-HD5UM REAR



Connection



System Components

For further details, contact your Canon ME/FA distributor.

CAMERA HEAD

IK-HD5H

CAMERA CABLE

Model	Length
EXC-3HD03	3 m
EXC-3HD06	6 m
Power Adapter	
AC-MW4012 12VDC	

CAMERA CONTROL UNIT

IK-HD5UM DVI-D / USB3.0 Micro-B



CANON MEDICAL COMPONENTS U.S.A., INC. Video Sensing Devices
<https://mccu.canon/VSD> | 2355 Main Street, Suite 150, Irvine, California 92614

© 2023 CANON MEDICAL COMPONENTS U.S.A., INC. All rights reserved. All products and names mentioned are the property of their respective owners. While Canon has made every effort at the time of publication to ensure the accuracy of the information provided herein, product specifications, configurations, prices, system/component/options availability are all subject to change without notice. When used for medical imaging applications, the customer assumes full responsibility and liability to determine suitability for use as well as responsibility for documentation and testing to comply with relevant medical device standards. Canon assumes no liability for such applications.